

**PUSH PULL RJ45 MALE 0° PROFINET**

## PROFINET

Male straight

RJ45PP, 4-pole

IDC terminals

Connection cross section: 0.14...0.34 mm<sup>2</sup>

Push Pull

Plastic housings with good resistance against chemicals and oils.

The resistance to aggressive media should be individually tested for your application. Further details on request.

**Illustration**

Product may differ from Image

**Approvals****More Info**

EtherNet/IP

**Form**

Form 74041

**General data**

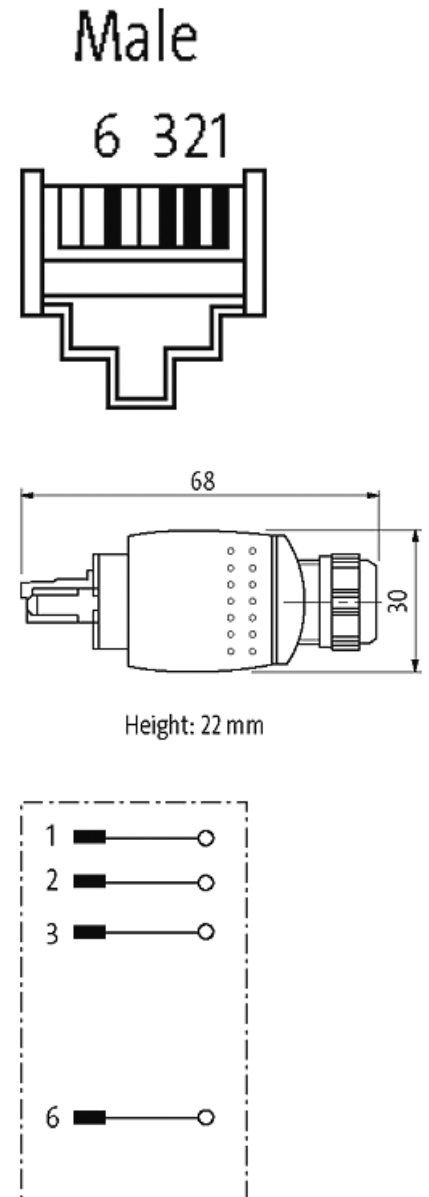
Temperature range -40...+70 °C

**Technical Data**

Operating voltage	max. 60 V DC
Operating current per contact	max. 2 A
Transfer parameters	CAT5, Class D (ISO/IEC 11801:2002), (EN 50173-1)
Transfer rate	up to 100 Mbit/s full duplex
Connection cross section	0.14...0.34 mm <sup>2</sup> (AWG 26...22)
Sealing range (cable Ø)	4...11 mm
Protection	IP65 and IP67 when plugged and screwed down (EN 60529)

**Commercial data**

country of origin	RO
customs tariff number	85366990
EAN	4048879363372
eClass	27279221
Packaging unit	1

**Sketch**

Product may differ from Image